

470 / 570 SERIES



470 Series



570 Series

26" Class LED	HG26NA470PF
32" Class LED	HG32NA470PF
39" Class LED	HG39NA570LF
40" Class LED	HG40NA570PF
46" Class LED	HG46NA570LB

REACH LED Direct-lit Hospitality TVs
with Samsung LYNK™ Technology



Industry-leading Design and Performance Highlights:

- LED – Direct-lit, 30-40% Energy Savings*
- HD Content Decryption: Samsung LYNK™
- Full HD 1080P, MPEG4 (720P – 26", 32")
- REACH Compliant: Customize Guest Room Marketing
- Swivel (20/60/90) w/ lock down (26"-NA)
- Hotel Commercial Television Features: Volume Limiters, Front Panel Lock-out, Menu Display Lock-out, Hotel Custom Logo/Welcome Message, Channel List Guide, Channel Re-mapping, Remote Jack Pack (RJP) Priority, USB Cloning and Anti-Theft Battery Cover Remote Control



VIDEO PERFORMANCE

- Resolution: HD 1366x768 (26", 32"), FHD 1920x1080 (39", 40", 46")
- Brightness: 300cd/m² (26", 40", 46"), 330cd/m² (32", 39")
- Response Time: 8.5ms (26"), 8ms (32", 39", 40", 46")
- Viewing Angle (H/V): 176/176 (26"), 178/178 (32", 39", 40", 46")
- Static Contrast Ratio: 3000:1 (26"), 4000:1 (32"), 4500:1 (39"), 5000:1 (40", 46")
- MPEG2/MPEG4 H.264 Decoding
- DTV Reception: ATSC / Clear QAM
- Analog Tuner: Yes

FEATURES

- Hotel Mode Plug & Play
- USB Cloning
- Channel Re-mapping (Free-to-guest)
- Hotel TV (RJ12/IR Pass Through)
- Hotel Logo Display with Time Out Setting
- REACH
- Auto Volume Limiter
- Power On Status Setting (Master)
- Anti-Theft Battery Cover
- Auto Channel Search
- ConnectShare™ (USB 2.0)
- Music Mode (Input: PC/AV/Component)
- Music Mode Backlight On/Off
- Multi-code Remote
- Sleep Timer
- Closed Captioning
- OSD Language: English, French, Spanish
- Direct-lit
- Picture-in-Picture
- Anynet+ (HDMI-CEC)
- Hotel Channel List
- Clock On Timer, Alarm Key
- Soundbar Compatibility
- Energy Saving Mode (BLU control)

ACCESSORIES

- Remote Control TM1050
- Batteries for Remote Control
- Power Cable
- RJ-12 Data Cable
- Stand Mount Kit (except for 26")
- Security Screws (Stand Base)
- Installation Manual (Quick Guide)

REMOTE JACK PANEL COMPATIBILITY (RJP)

G-LINK™, TeleAdapt

INTERACTIVE COMPATIBILITY SYSTEM:

Samsung LYNK™, LodgeNet®, Enseo®, nSTREAMS™, Guesttek, SeaChange®, NxSystems™, iBAHN®, Tangerine®, VRN, ALLIN, SuiteLINQ™



Samsung Hospitality Sales: 888-727-2664
Visit us on the web for more information at samsung.com/hospitality



26" Class LED | HG26NA470PF
32" Class LED | HG32NA470PF
39" Class LED | HG39NA570LF
40" Class LED | HG40NA570PF
46" Class LED | HG46NA570LB

470 / 570 SERIES

FEATURES

Hotel Mode Plug & Play: Interactive stand-alone.

USB Cloning: A quick and easy way to copy the ideal settings of television to others on the property. Saves time and helps provide a consistent viewing experience for all televisions.

Hotel Channel List: Guest master channel listing of program content. This will display content in analog or HD.

Hotel TV (RJ-12/IR Pass Through): Connecting Interactive STB/SBD (Set Top/Back Box).

Hotel Logo Display with Time Out Setting: Display hotel logo bitmap files as a greeting startup display.

Remote Enhanced Active Control for Hotels (REACH/Management Solution): Used with coaxial-based solution designed to provide centralized TV controls, basic static content management capabilities and Interactive Program Guide (IPG). The Hotel Guest, in a (free-to-guest) hotel can experience picture and content such as: hotel information, local and in-room dining, spa, meeting and events, local attractions and other simple guest convenience features. Property management will be able to update and change information on an easy Windows-based system.

Auto Volume Limiter: During initial product setup, minimum and maximum volume levels can be locked to help minimize disturbance to other hotel guests.

Power On Status Setting: Power always on, last option or standby.

Anti-Theft Battery Cover: Battery door is secured, helping to always keep batteries in the remote controller.

Auto Channel Search: Auto detect channel while in hotel mode.

ConnectShare™ (USB 2.0): Connect a thumb drive or digital camera quickly and easily. User-friendly interface allows access to videos, a music playlist and pictures via the remote.

Music Mode (Input: HDMI/PC/AV/Component): When picture is muted, allows audio feedback.

Music Mode Backlight On/Off: Background display.

Multi-code Remote: Eliminates interference when two or more TVs are used in close proximity.

Sleep Timer: Set TV turn-off time in 30-minute intervals up to 180 minutes.

Closed Captioning: A text display of all audio content including spoken dialog and non-speech information such as the identity of the speakers and symbols for sound effects and music.

OSD Language: English/French/Spanish.

Picture-in-Picture: Display one program while another is being displayed on the full TV screen at the same time.

Clock On Timer and Alarm Key: Allows the guest to program the TV to turn on as a wake-up alarm.

Anynet + (HDMI - CEC): Samsung protocol that allows the user to control other HDMI devices connected to the TV display. Examples of these devices are DVD and Soundbars.

Soundbar Compatible: Samsung Hospitality Displays enable Soundbar compatibility by supporting HDMI-CEC. By connecting the Soundbar to the Samsung Hospitality Display with an HDMI cable, the TV audio settings and menu lock feature are automatically applied, so you don't have to set up the Soundbar separately and you can also prevent guests from changing the settings. With one single remote, guests can control both the TV and Soundbar simultaneously. The Samsung wall-mountable Soundbar allows you to offer your guests a full 3D surround sound experience through one easy-to-install device that fits into the most prestigious environment and adds a touch of elegance to your rooms.

Swivel Stand with Optional Stops: Samsung Hospitality Displays pedestal stand rotates 90 degrees in both directions with optional 20-, 60- and 90-degree stops so wherever in the room your guests are, they should have an excellent view of their TV. Swivel stand includes integrated mounting plate and bolt-down kit (4 bolts, 2 nuts, 2 washers).

Energy Saving Mode (BLU Control): Samsung's range of energy-efficient LED TVs is setting the standard when it comes to saving energy and reducing costs. Samsung Hospitality Displays are a cost-effective business solution due to their energy-efficient features and ability to decrease maintenance and management oversight.

Our Hospitality Displays offer a number of energy-efficient advantages that are designed to lower power usage and your overall energy bill. This means a 55" Samsung LED TV consumes the same amount of energy as a conventional 32" LCD TV. What's more, LED TVs from Samsung are durable, offering a long lifetime without loss of picture quality. Samsung Displays are also built with less harmful materials, so that the manufacturing and recycling processes are much more efficient and friendlier to the environment.

Samsung LYNK™: Samsung's software-based DRM technology is integrated into the entire Samsung 2012 Hotel TV line. Samsung LYNK offers highly reliable access to unlock premium HDTV content from content providers such as cable, satellite and VOD providers. Samsung's advanced LYNK, DRM helps eliminate tampering with HD premium content without disrupting service to the hotel guest.



SAMSUNG

26" Class LED
32" Class LED
39" Class LED
40" Class LED
46" Class LED

HG26NA470PF
HG32NA470PF
HG39NA570LF
HG40NA570PF
HG46NA570LB

470 / 570 SERIES

MODEL NAME	DESIGN TYPE	WEIGHT (W/ STAND)	WEIGHT (W/O STAND)	DIMENSIONS (W/ STAND)	DIMENSIONS (W/O STAND)	PACKAGE DIMENSIONS	ORDER CODE	UPC CODE
HG26NA470PF	Normal	10.6 lbs	9.2 lbs	24.2" x 16.5" x 7.11"	24.22" x 14.39" x 3.66"	30.31" x 17.52" x 6.38"	HG26NA470PFZA	036725237728
HG32NA470PF	Normal	17.2 lbs	12.8 lbs	29.09" x 19.42" x 7.55"	29.09" x 17.19" x 3.67"	35.51" x 20.87" x 6.38"	HG32NA470PFZA	036725237735
HG39NA570LF	Normal	23.4 lbs	17.2 lbs	35.27" x 23.20" x 8.96"	35.27" x 20.96" x 3.70"	42.28" x 24.33" x 6.49"	HG39NA570LFZA	887276007908
HG40NA570LF	Normal	26.2 lbs	19.8 lbs	36.52" x 23.90" x 8.96"	36.52" x 21.69" x 3.66"	43.46" x 25.24" x 6.89"	HG40NA570LFZA	036725237803
HG46NA570LF	Normal	33.9 lbs	27.5 lbs	41.72" x 26.82" x 8.96"	41.72" x 24.63" x 3.71"	48.70" x 28.46" x 6.89"	HG46NA570LBZA	036725237810

CONNECTIONS

HDMI®: 1 (side), 2 (rear)

USB: 470 Series: 1 (side) / 570 Series: 1 (rear)

RF Input (Terrestrial/Cable Input): 1 (rear)

Component (Y/Pb/Pr): 1 (rear)

Composite (AV): 1 (side), 1 (rear) / 46": 1 (rear)
Common use for Component Y

PC D-sub: 1 (rear)

PC Audio Jack: 1 (rear)

Audio Out (Line Out) Monitor: 1 (rear)

Optical Sound Out: 1 (rear)

RJ- 12 w/ IR Pass for External Control: 1 (rear)

RS232C (AV Control): 1 (rear)

AUDIO

Dolby® Digital Plus / Dolby Pulse

SRS TheaterSound®: Get crisp, clear digital-quality sound via advanced SRS technology

dts 2.0 + Digital Out

Speaker Type: Down Firing + Full Range

Audio Power: 5W x 2 (26"), 10W x 2 (32", 39", 40", 46")

SPECIFICATIONS

4 Energy Saving Modes

Power Supply: AC 110~120V~60Hz

TV System: ATSC / Clear QAM Cable

VESA Wall Mount Pattern: 100x100mm (26"), 200x200mm (32", 39", 40"), 400x400mm (46")

Screw Size: M4 (26"), M6 (32", 39", 40"), M8 (46")

Multi-voltage: AC110~220V watts

Power Consumption (Rated): 38W (26"), 54W (32"), 84W (39"), 86W (40"), 94W (46")

Power Consumption (Standby): under 0.3W

Power Consumption (Typical): 23W (26"), 27W (32"), 39W (39"), 40W (40"), 48W (46")

Energy Saving Mode Power Consumption:

High: 10.7W, Medium: 13.1W, Low: 15.8W (26")

High: 11.9W, Medium: 15.6W, Low: 19.6W (32")

High: 18.0W, Medium: 24.7W, Low: 32.0W (39")

High: 18.4W, Medium: 25.1W, Low: 32.7W (40")

High: 24.2W, Medium: 31.9W, Low: 40.3W (46")

Energy Star 5.3

WARRANTY

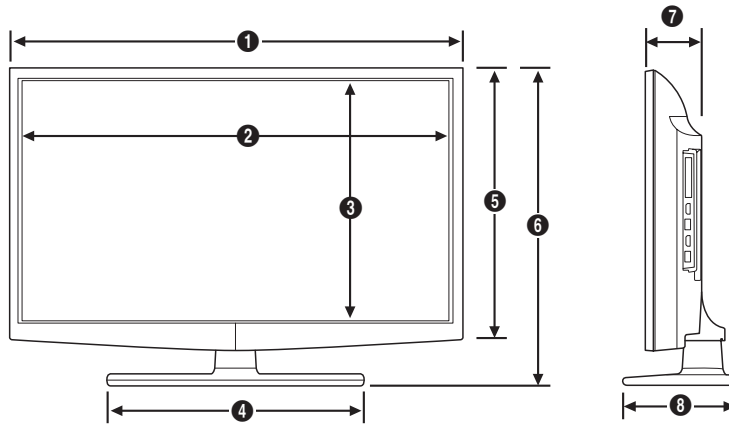
2-year parts and 2-year labor warranty backed by Samsung Hospitality Hotline 1-866-894-0524. Optional professional installation, accessories and extended warranty are available.

26" Class LED | HG26NA470PF
 32" Class LED | HG32NA470PF
 39" Class LED | HG39NA570LF
 40" Class LED | HG40NA570PF
 46" Class LED | HG46NA570LB

470 / 570 SERIES

DIMENSIONS - 26"

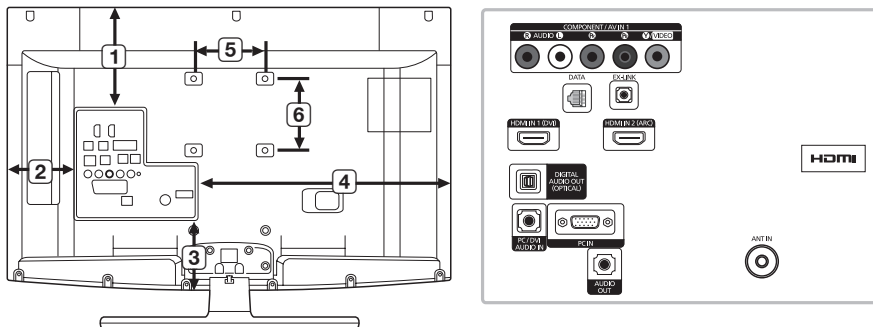
HG26NA470PF Front view / Side view



(Unit: inches)

1	2	3	4	5	6	7	8
24.4	22.7	12.7	14.1	15.6	17.7	3.7	7.1

HG26NA470PF Jack Panel detail / Rear view



(Unit: inches)

1	2	3	4	5	6
5.5	3.6	3.8	13.9	3.9	3.9



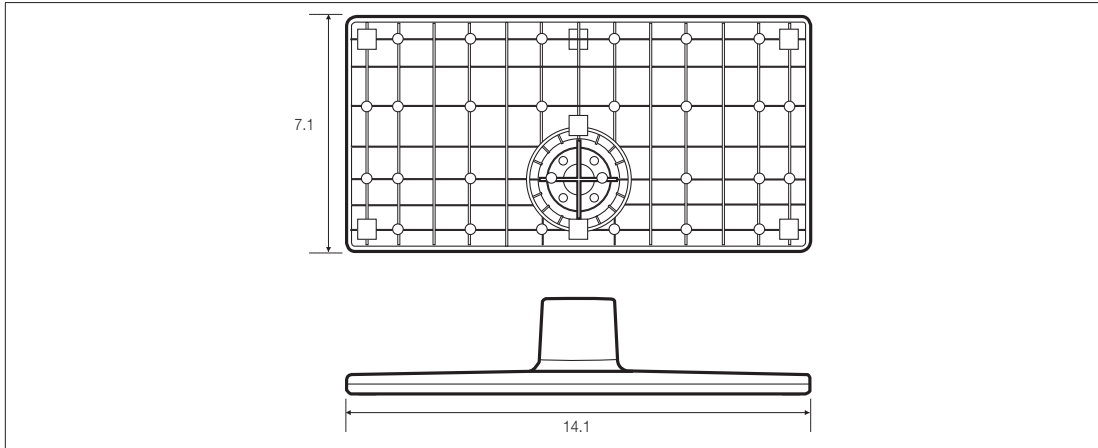
26" Class LED | HG26NA470PF
32" Class LED | HG32NA470PF
39" Class LED | HG39NA570LF
40" Class LED | HG40NA570PF
46" Class LED | HG46NA570LB

470 / 570 SERIES

DIMENSIONS - 26"

HG26NA470PF Base Stand detail

(Unit: inches)

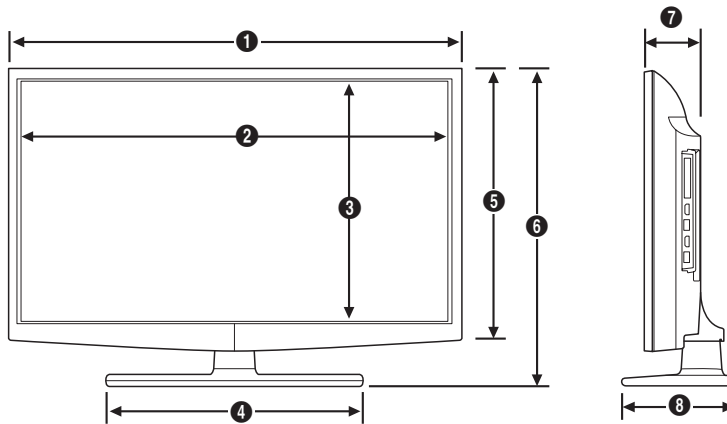


26" Class LED | HG26NA470PF
 32" Class LED | HG32NA470PF
 39" Class LED | HG39NA570LF
 40" Class LED | HG40NA570PF
 46" Class LED | HG46NA570LB

470 / 570 SERIES

DIMENSIONS - 32"

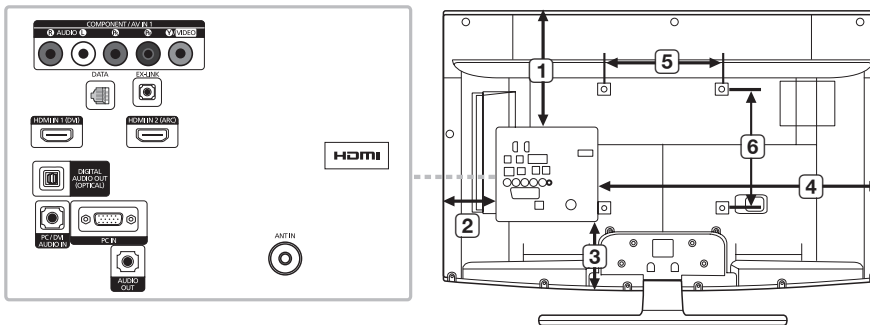
HG32NA470PF Front view / Side view



(Unit: inches)

1	2	3	4	5	6	7	8
29.3	27.5	15.5	16.5	18.3	20.6	3.7	7.5

HG32NA470PF Jack Panel detail / Rear view



(Unit: inches)

1	2	3	4	5	6
7.5	3.5	4.6	19.0	7.8	7.8



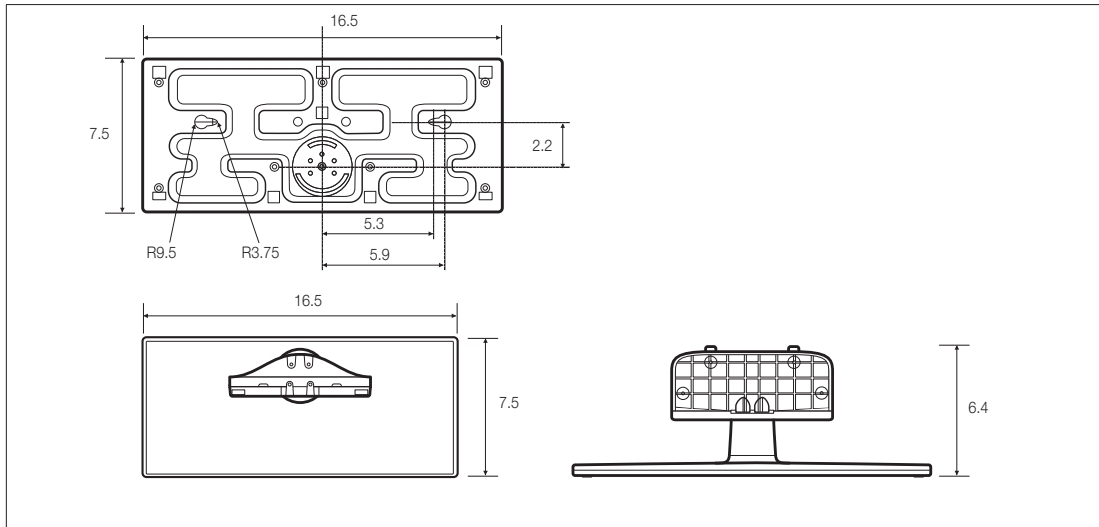
26" Class LED | HG26NA470PF
32" Class LED | HG32NA470PF
39" Class LED | HG39NA570LF
40" Class LED | HG40NA570PF
46" Class LED | HG46NA570LB

470 / 570 SERIES

DIMENSIONS - 32"

HG32NA470PF Base Stand detail

(Unit: inches)

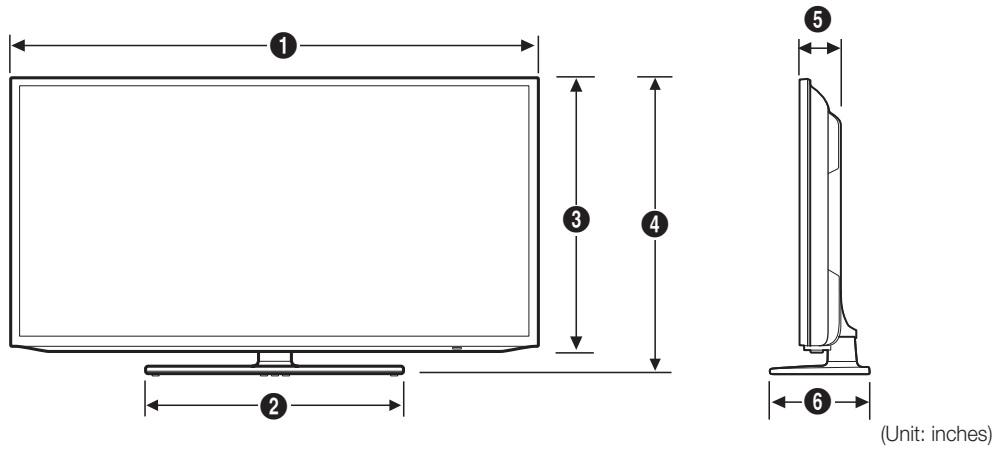


26" Class LED | HG26NA470PF
 32" Class LED | HG32NA470PF
 39" Class LED | HG39NA570LF
 40" Class LED | HG40NA570PF
 46" Class LED | HG46NA570LB

470 / 570 SERIES

DIMENSIONS - 39"

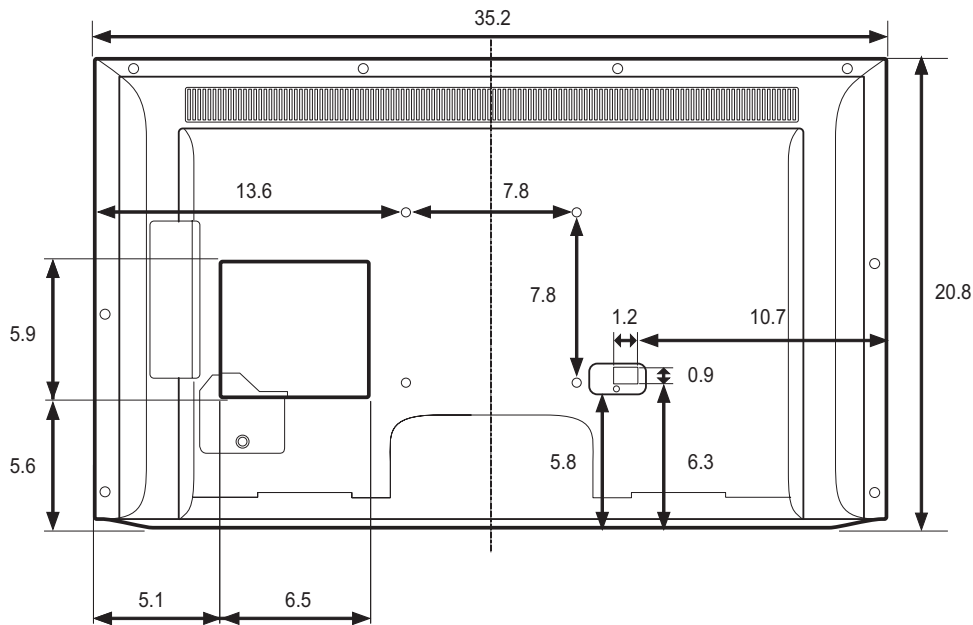
HG39NA570LF Front view / Side view



(Unit: inches)

1	2	3	4	5	6
35.2	20.3	20.9	23.2	3.7	8.9

HG39NA570LF Jack Panel detail / Rear view



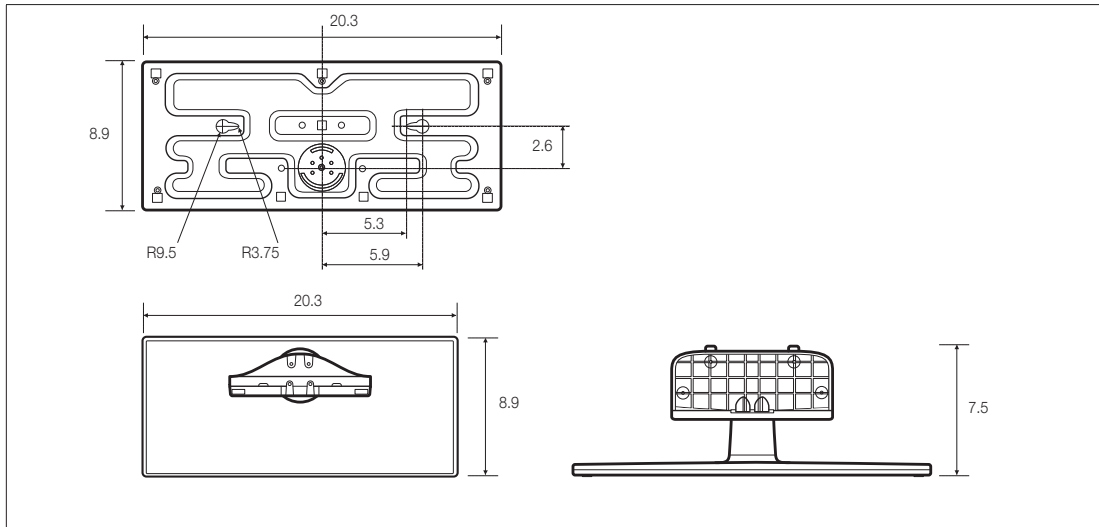
26" Class LED | HG26NA470PF
32" Class LED | HG32NA470PF
39" Class LED | HG39NA570LF
40" Class LED | HG40NA570PF
46" Class LED | HG46NA570LB

470 / 570 SERIES

DIMENSIONS - 39"

HG39NA570LF Base Stand detail

(Unit: inches)

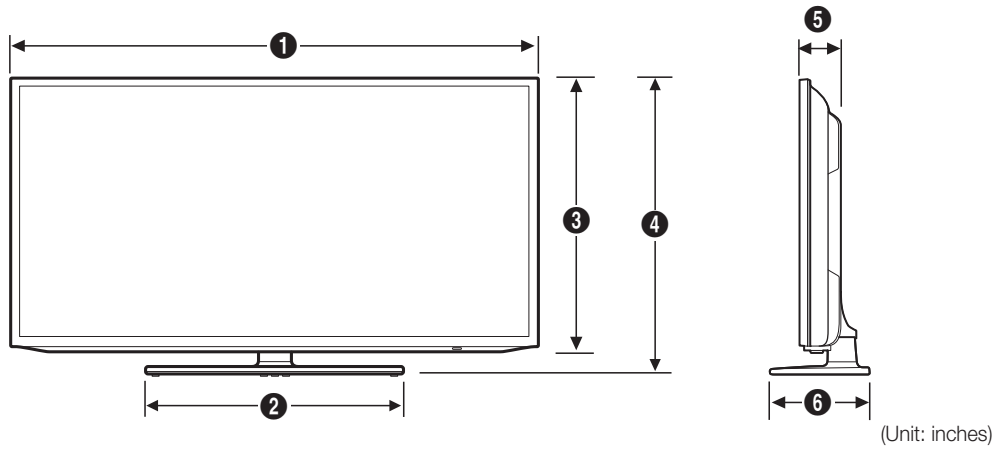


26" Class LED | HG26NA470PF
 32" Class LED | HG32NA470PF
 39" Class LED | HG39NA570LF
 40" Class LED | HG40NA570PF
 46" Class LED | HG46NA570LB

470 / 570 SERIES

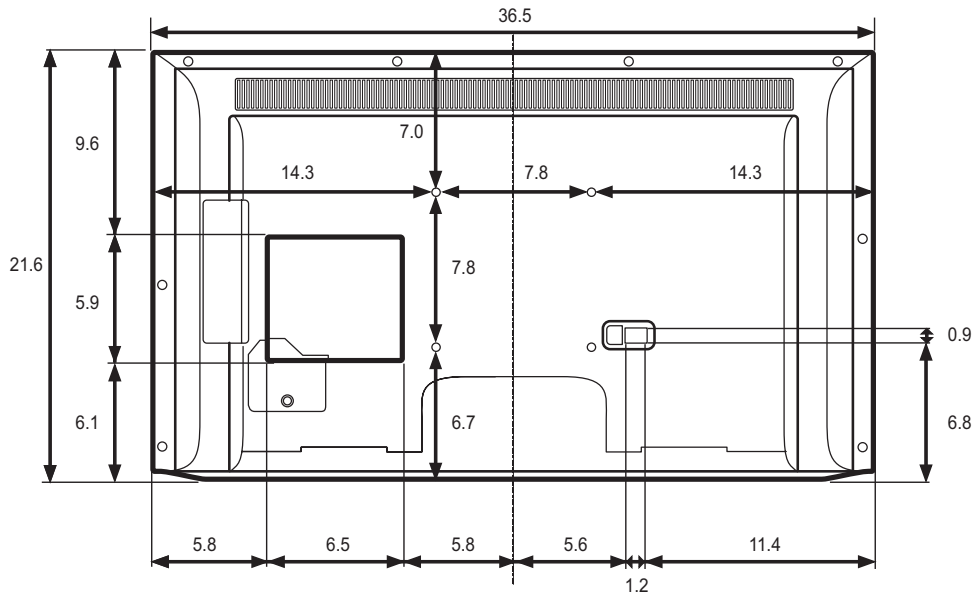
DIMENSIONS - 40"

HG40NA570PF Front view / Side view



1	2	3	4	5	6
36.5	20.3	21.6	23.8	3.6	8.9

HG40NA570PF Jack Panel detail / Rear view

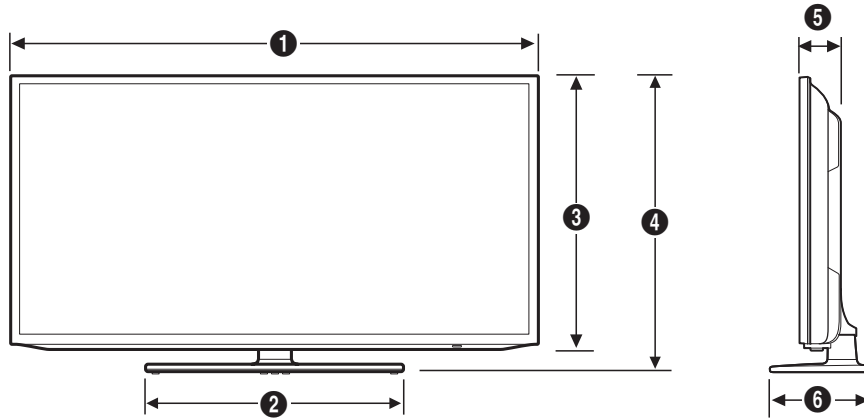


26" Class LED | HG26NA470PF
 32" Class LED | HG32NA470PF
 39" Class LED | HG39NA570LF
 40" Class LED | HG40NA570PF
 46" Class LED | HG46NA570LB

470 / 570 SERIES

DIMENSIONS - 46"

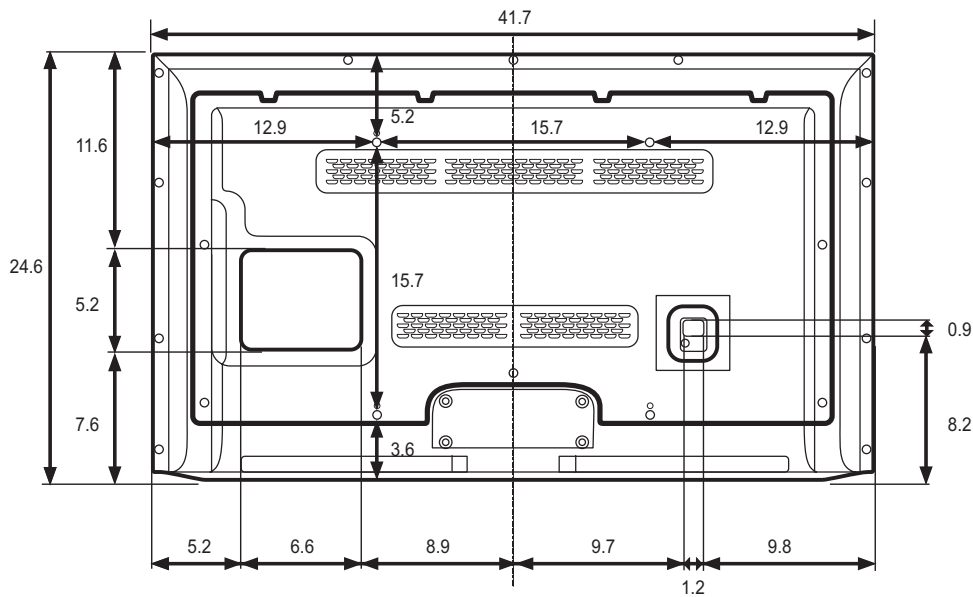
HG46NA570LB Front view / Side view



(Unit: inches)

1	2	3	4	5	6
41.7	20.3	24.6	26.8	3.7	8.9

HG46NA570LB Jack Panel detail / Rear view



26" Class LED	HG26NA470PF
32" Class LED	HG32NA470PF
39" Class LED	HG39NA570LF
40" Class LED	HG40NA570PF
46" Class LED	HG46NA570LB

470 / 570 SERIES

DIMENSIONS - 40"

HG40NA570PF / HG46NA570LB Base Stand detail

(Unit: inches)

